

# NOTICE OF RACE



Edina Model Yacht Club  
OF MINNESOTA  
Invites you to the

---

## 2017 ODOM NCR

**September 15–17, 2017**

**The ODOM National Championship Regatta 2017  
will be held at Smith Lake Park in Bloomington, MN.  
This is a convenient city park with all the amenities.  
Come join us for two days of intense and  
friendly competition.**

# ODOM National Championship Regatta 2017

**SCHEDULE OF EVENTS:** Check-in and measurement will be at the race site on Friday, September 15, 2017. Entrants are encouraged to stay and practice sailing/racing Friday afternoon. Racing for the Championship will begin on Saturday.

## DATE & PROGRAM:

Friday September 15

Noon - 5:00

Open sailing, equipment measurement, and late registration

6:00

Dinner at local restaurant (not included in entrance fee)

Saturday

8:30 – 9:30

Final late registration with donuts and coffee

9:30 – 10:00

Skippers meeting – all entrants must attend

10:30 – 12:00

Racing

12:00 – 1:00

Lunch break provided at pond

1:00 – 4:30

Racing

5:30

Dinner at local restaurant (not included in entrance fee)

Sunday

9:30 – 10:00

Skippers meeting – all entrants must attend

10:30 – 12:00

Racing

12:00 – 1:00

Lunch break provided at pond

1:00 – 3:00

Racing (no race to start after 2:45 pm on Sunday)

3:00 – 3:30

Race committee meeting

3:30

Award Presentations

**RULES:** The regatta will be governed by The Racing Rules of sailing (RRS) as changed by RRS Appendix E, this Notice of Race (NOR), the Sailing Instructions (SI), the ODOM Class rules, and the equipment Rules of Sailing. The Sailing instructions shall prevail in case of conflict with this Notice of Race.

**ELIGIBILITY:** The Competition is open to registered ODOM class boats. All entrants must be current members of AMYA. Membership in AMYA takes about one month to process and must be done before your boat can be registered.

**PRE-REGISTRATION:** We would encourage early registration to help us plan adequate amounts of food and drinks.

Entries are to be made using the official entry form below and forwarded with check to:

Edina Model Yacht Club  
Centennial Lakes Hughes Pavilion  
7499 France Avenue South  
Edina, Minnesota 55435

Entry fee of \$60 per boat, includes rolls lunch and beverages Saturday and Sunday.

Make checks payable to: **Edina Model Yacht Club.**

Measurement form, sailing instructions, information on local hotels, and directions can be found on the race website. Please complete the measurement form and bring to registration.

**CHECK-IN:** Boats with a valid measurement certificate shall be presented for registration Friday, September 15 between the hours of 12:00 pm and 5:00 pm or on Saturday between the hours of 8:30am and 9:30am. However, the race committee may extend the time for registration and measurement if there is a valid reason to do so. No boat shall be eligible for racing until it has been registered and has a current, valid measurement certificate. Participants are required to be current members of the AMYA (bring your card).

**SCORING and RACING SYSTEM:** If it is necessary to split the fleet scoring will be carried out in accordance with the Odd/Even heat management system.

**FREQUENCIES:** We will assume all competitors will be using spread spectrum 2.4 MHz radios.

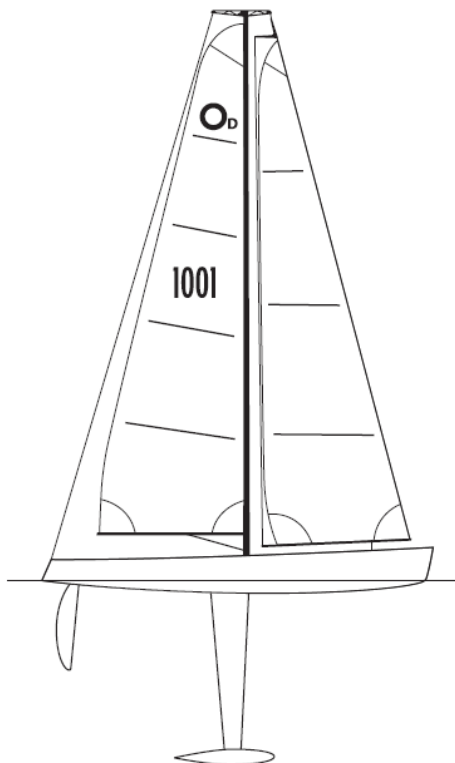
**AWARDS:** Prizes will be awarded to the first five positions.

**FAMILY:** The lake is located in Smith Park in the city of Bloomington. It is just off highway 494 which runs West from the Mpls/St Paul International Airport. It is about a mile from The Mall of America. Check the race website for directions and accommodation information

Much preparation has gone into making sure that this event is an enjoyable one and if there is anything we can do to make your stay more comfortable please let us know.

The website for the race is: <http://www.emyc.org/nats/>

If you have any questions, please contact the committee at: [NCR2017@emyc.org](mailto:NCR2017@emyc.org)



----- Mail this form -----

## ODOM National Championship Regatta 2017 ENTRY FORM

**LIABILITY:** Entrants taking part in this Championship, do so at their own risk and responsibility. As an entrant, I hereby for myself, my heirs, executors and administrators, waive and release any and all rights to claim damages against the Edina Model Yacht Club, its officers, committee members, members, the sailing site owners, employees, agents, representatives, or assigns, the American Model Yachting Association (AMYA), or its members, from any claim for injury or any other damages while participating in this event.

At all times the responsibility for the safety of their boat and themselves including the decision to participate or continue shall rest with the competitors. By entering this event, it is deemed that you accept these conditions. Competitors are advised to ensure that they have adequate insurance that provides coverage for public liability and their possible injury in the Country and County of this event.

**ENTRY FEE:** \$60 per boat

Make checks payable to: **Edina Model Yacht Club**

Edina Model Yacht Club  
Centennial Lakes Hughes Pavilion  
7499 France Avenue South  
Edina, Minnesota 55435

**ENTRY DEADLINE: September 15, 2017**

Name: \_\_\_\_\_

Address: \_\_\_\_\_

City: \_\_\_\_\_ State: \_\_\_\_\_ Zip: \_\_\_\_\_

Phone: \_\_\_\_\_ Email Address: \_\_\_\_\_

Sail #: \_\_\_\_\_ AMYA #: \_\_\_\_\_

Frequency Channel: 1st \_\_\_\_\_ 2nd Alt. \_\_\_\_\_ 3rd Alt. \_\_\_\_\_

By signing this entry form I agree to all the terms and conditions set forth in the Notice of Race above.

Signature: \_\_\_\_\_ Date: \_\_\_\_\_